

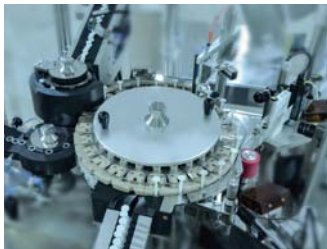


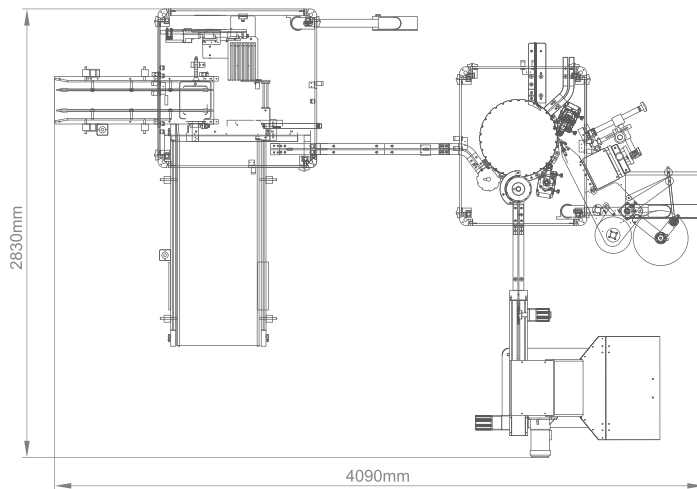
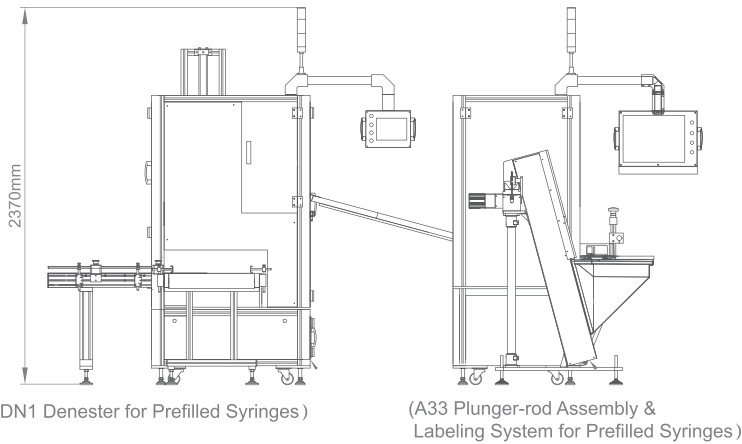
(A33 Plunger-rod Assembly & Labeling System for Prefilled Syringes)

(DN1 Denester for Prefilled Syringes)

Colamark A33 High Speed Labeling & Plunger Assembly System for Prefilled Syringes

Designed for use in the packaging line of pre-filled syringes, the system labels on the prefilled syringe and at the same time assemble the plunger-rod into the syringe. The DN1Denester can be used for automatic syringe feeding from the transfer nest. Optional inspection station and assembly station for plunger backstopper.





Features

- Syringes unloaded from full nest, plunger-rod fed by vibrating feeder, indexing turntable with stations for inserting plunger-rod, tightening, and labeling.
- Robust design and use of world-class materials and components to ensure exceptional performance, stability and quality.
- The labeling system uses the proven emery traction roll and servo drive technology to ensure extra precision and long term stability.
- Various on-line coding options, including hotstamping, inkjet, laser, thermal transfer are available to meet customer's specific needs.
- Various inspection options are also available to detect missing label, missing code, wrong code, missing plunger-rod etc. to ensure quality output for the user.
- Defective items are automatically collected in a rejection tray.

Model	DN1 Denester for Prefilled Syringes A33 Plunger-rod Assembly & Labeling System for Prefilled Syringes
Material size	Diameter: 8.15±0.1mm / 10.85±0.1mm
System capacity	Up to 400 ppm (depending on material size)
Labeling precision	±0.3-0.5mm (excluding errors from materials)
Denesting method And speed	±0.3-0.5mm (Robotic operated denesting comb. Denested syringes are fed into the in-feeding chute of A33. Capacity up to 300 ppm.errors from materials)
Compressed air	0.4-0.7Mpa
Electricity	220VAC±10% 46-62Hz 2.0kW
Dimension	(L)4,090 × (W)2,830 × (H)2,370 mm

(Custom engineered solutions are available to cater for customer's special needs.)

For continuous improvement on design and product innovations, all specification data are subject to change without prior notice

Colamark (Guangzhou) Labeling Equipment Limited

19 Jin Xiu Road, Economics Trade Development District, Guangzhou, China 510730
Tel: +86 20 8221 6718 Fax: +86 20 8221 5799

Colamark Asia Ltd 820 Topsail Plaza, 11 On Sum Street, Shatin, Hong Kong
Tel: +852 2634 8011 Fax: +852 8161 3311 info@colamark.com www.colamark.com

|HongKong | Guangzhou | Kunming Chengdu | Wuhan | Chongqing | Xian | Shanghai | Qingdao | Beijing | Shenyang | Harbin|